



SPECIFICATION

T5 LED Tube



Product Details

S/N Rules

$\frac{SL}{1} - \frac{T5}{2} \frac{X}{3} \frac{X}{4} \frac{XX}{5} - \frac{XXX}{6} - \frac{X}{7}$

EX: $\frac{SL-T5-2T10-54-P}{1-2-34-5-6-7}$

1. SL- ShineLong
2. T5: T5 tubes series
3. X-Size: 1=1ft; 2=2ft...
4. X-Cover Type (F: Frosted cover; T: Transparent cover)
5. XX- Watt: 08=8w; 11=11w; 30=30w(according to actual watt)
6. 54: LED Quantity 54pcs
7. X- CCT: P=Pure white; W=Warm white; C=Cool white;

Application

- Offices
- libraries
- shops / The mall
- factories
- subway
- The hotel

Features

- CE, RoHs certified
- Aluminum housing + PC cover structure, end caps are able to be $\pm 90^\circ$ rotated
- Capable with both constant current or constant voltage version
- high efficiency 100~110lm/w
- Support 0~10v dimming and triac dimming
- Easy installation and replacement, able to be connected into series
- 3 years warranty

Temperature

Operating: $-20 \sim +50^\circ\text{C}$

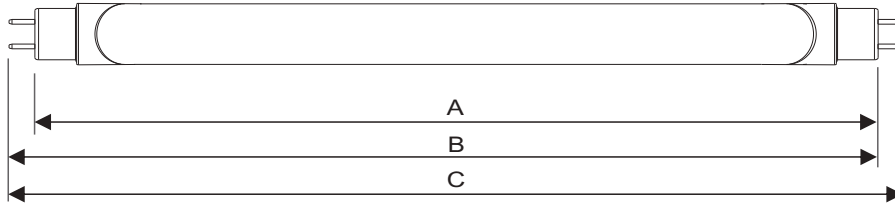
Storage: $-40 \sim +85^\circ\text{C}$



Product Details



Dimension



length	A	B	C
——	Min.mm	Min.mm	Max.mm
600	549.0	553.7	556.1
900	849.0	853.7	856.1
1200	1149.0	1153.7	1156.1
1500	1449.0	1453.7	1456.1

Data Sheet

Article Number	Size	Power	LEDs	Beam Angle	CRI	Working Voltage	SDCM	Efficiency (±5%)	Lumen Output
----------------	------	-------	------	------------	-----	-----------------	------	------------------	--------------

DC30~40V constant current version, external driver

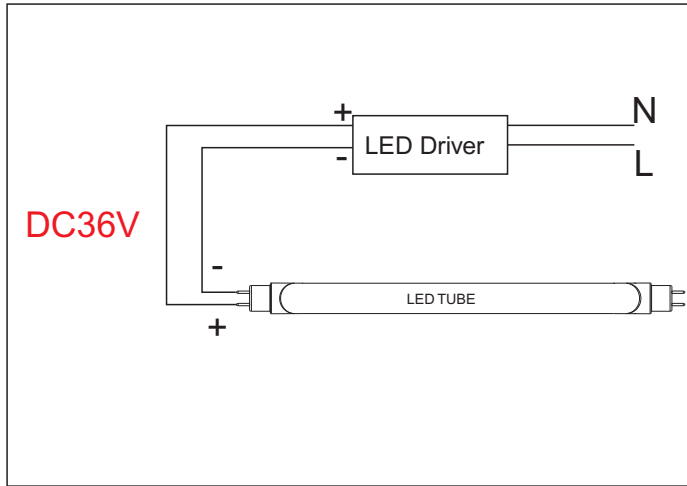
SL-T52X10-60-X	600mm	10W	60	120°	>80	DC30~40V	<4	90~100lm/w	900~1000lm
SL-T53X12-72-X	900mm	12W	72	120°	>80	DC30~40V	<4	100~110lm/w	1100~1300lm
SL-T54X15-96-X	1200mm	15W	96	120°	>80	DC30~40V	<4	100~110lm/w	1400~1600lm
SL-T54X20-108-X	1200mm	20W	108	120°	>80	DC30~40V	<4	100~110lm/w	1900~2100lm
SL-T55X22-144-X	1500mm	22W	144	120°	>80	DC30~40V	<4	100~110lm/w	2100~2300lm
SL-T55X25-168-X	1500mm	25W	168	120°	>80	DC30~40V	<4	100~110lm/w	2400~2600lm
SL-T55X30-192-X	1500mm	30W	192	120°	>80	DC30~40V	<4	100~110lm/w	2900~3200lm

DC12V or DC24V constant voltage version, external driver

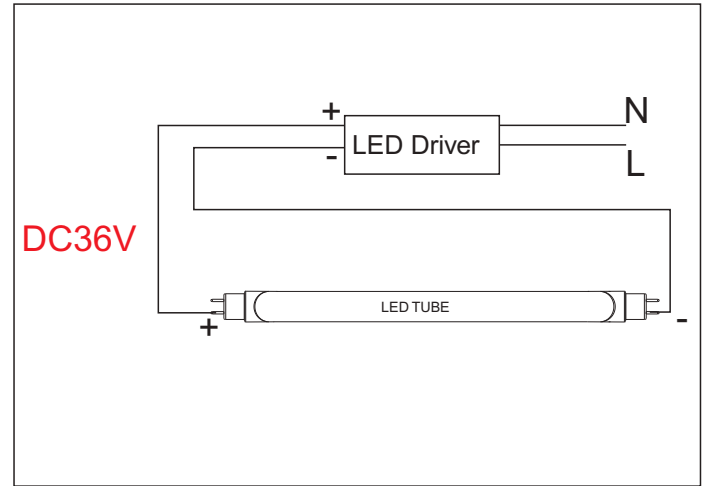
SL-T52X10-60-X	600mm	10W	60	120°	>80	DC12V/DC24V	<4	90~100lm/w	900~1000lm
SL-T53X12-72-X	900mm	12W	72	120°	>80	DC12V/DC24V	<4	100~110lm/w	1100~1300lm
SL-T54X15-96-X	1200mm	15W	96	120°	>80	DC12V/DC24V	<4	100~110lm/w	1400~1600lm
SL-T54X20-108-X	1200mm	20W	108	120°	>80	DC12V/DC24V	<4	100~110lm/w	1900~2100lm
SL-T55X22-144-X	1500mm	22W	144	120°	>80	DC12V/DC24V	<4	100~110lm/w	2100~2300lm
SL-T55X25-168-X	1500mm	25W	168	120°	>80	DC12V/DC24V	<4	100~110lm/w	2400~2600lm
SL-T55X30-192-X	1500mm	30W	192	120°	>80	DC12V/DC24V	<4	100~110lm/w	2900~3200lm

Different wattage and length can be customized

Wiring Diagram



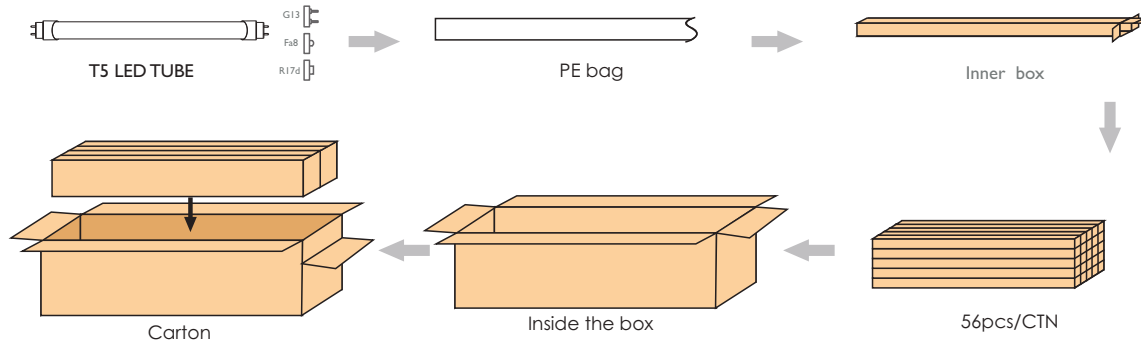
Power at one end



Power at both end

Package

Size	Carton Size	N.W./CTN	G.W./CTN	Maximum Loading of		
				20'GP	40'GP	40'HQ
600mm	73*45*24cm	11kg	17kg	360CTNs	750CTNs	913CTNs
900mm	103*45*24cm	15kg	23kg	266CTNs	557CTNs	639CTNs
1200mm	133*45*24cm	17kg	29kg	201CTNs	412CTNs	500CTNs
1500mm	163*45*24cm	25kg	35kg	168CTNs	357CTNs	399CTNs



All the above information is subject to the final interpretation of ShineLong Technology.