



SPECIFICATION
Rancher

Product Details

S/N Rules

$\frac{SL}{1} - \frac{P69}{2} \frac{X}{3} \frac{X}{4} - \frac{XX}{5} - \frac{X}{6} \frac{X}{7}$

EX: $\frac{SL}{1} - \frac{P69F2-20-WD}{2 \quad 34 \quad 5 \quad 67}$

- 1: SL-ShineLong
- 2: P69: P-PC/PE Version; 69-IP69K
- 3: X-Cover Type (T: Transparent cover, F: Frosted cover)
- 4: X-Length , (2: 2ft 60cm, 4: 4ft 120cm, 5: 5ft 150cm)
- 5: XX-Power consumption (20: 20w,36: 36w, 45: 45w)
- 6: X-Color Temperature (W: Warm white, P: Pure white, C: Cold white)
- 7: X-Function Type (D: 0/1-10V dimmable,L: DALI dimmable)

Application

- Parking place
- Tunnel / Corridor / Gallery
- Railway / Bus / MTR Station
- Warehouse / Factory
- Food/Meat processing industry
- Chicken sheds
- Livestock farm
- Gas station / Car Washes

Features

- CE, RoHs, UL, DLC, TUV-GS, SAA approved
- IP69K IK10 protection
- Patent cylinder design, PC/PE housing + AL board + Stainless steel caps and clips
- PC material – UV Resistance
- PE material – Corrosion Resistance
- Fit for both indoor and outdoor applications
- 110lm/w or 130lm/w available
- L80B50(Ta=25°C): 75,000hrs
- 5 years warranty

Temperature

Operating: -20 ~ +40°C

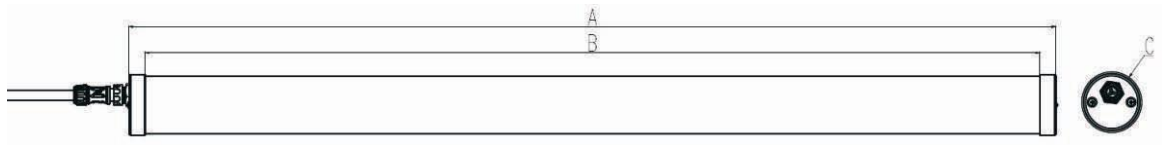
Storage: -40 ~ +85°C



Product Details



Dimension



length	A	B		C
———	Min.mm	Min.mm	Max.mm	Min.mm
600	600	544	547	75
1200	1200	1144	1147	75
1500	1500	1444	1447	75

Data Sheet

Article Number	Size	Power	LEDs	Beam Angle	CRI	AC Input	DC Output	SDCM	Efficiency (±5%)	Lumen Output
----------------	------	-------	------	------------	-----	----------	-----------	------	------------------	--------------

Standard lumen version>>>>>100~110lm/w with frosted cover, 110~120lm/w with transparent cover

SL-P69X2-20-X	600*Ø75mm	20W	208	120°	>80	200~240V/100~277V	30~40V	<4	100~120lm/w	2000~2400lm
SL-P69X4-36-X	1200*Ø75mm	36W	312	120°	>80	200~240V/100~277V	30~40V	<4	100~120lm/w	3600~4300lm
SL-P69X5-45-X	1500*Ø75mm	45W	416	120°	>80	200~240V/100~277V	30~40V	<4	100~120lm/w	4500~5400lm

Premium lumen version>>>>>120~130lm/w with frosted cover, 130~140lm/w with transparent cover

SL-P69X2-20-X	600*Ø75mm	20W	208	120°	>80	200~240V/100~277V	30~40V	<4	120~140lm/w	2400~2800lm
SL-P69X4-36-X	1200*Ø75mm	36W	312	120°	>80	200~240V/100~277V	30~40V	<4	120~140lm/w	4300~5000lm
SL-P69X5-45-X	1500*Ø75mm	45W	416	120°	>80	200~240V/100~277V	30~40V	<4	120~140lm/w	5400~6300lm

Different wattage can be customized.

Flexibility in connections

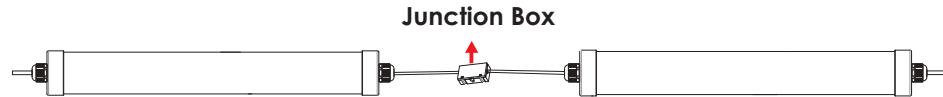
Option A



■ Single connection



■ Series connection



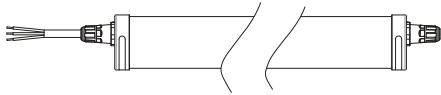
Fit for single or series connection

Option B



Cable self-mounted wiring. Compatible with both single and series connection.

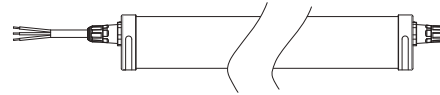
Non Dimmable Tri-proof LED Lamp



(EU market-3 pole cable) (US market-3 pole cable)

L:	Brown	Black
N:	Blue	White
E:	Yellow-Green	Green

0/1-10V Dimmable Tri-proof LED Lamp



(EU market-5 pole cable) (US market-5 pole cable)

L:	Brown	Black
N:	Blue	White
E:	Yellow-green	Green
DIM+:	Black	Red
DIM-:	Gray	Orange

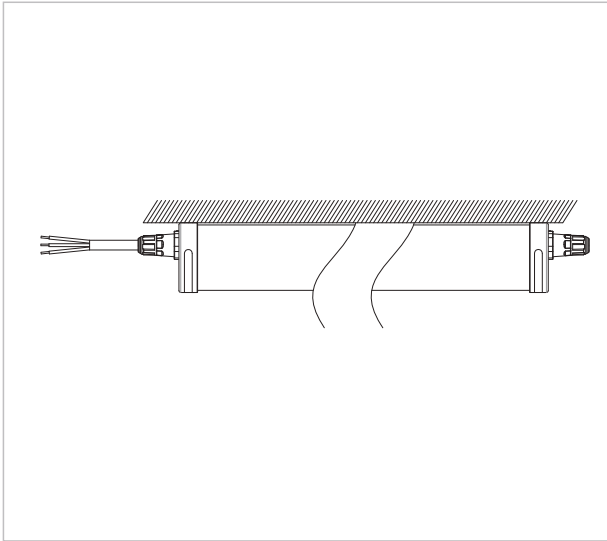
DALI Dimmable Tri-proof LED Lamp



(EU market-5 pole cable) (US market-5 pole cable)

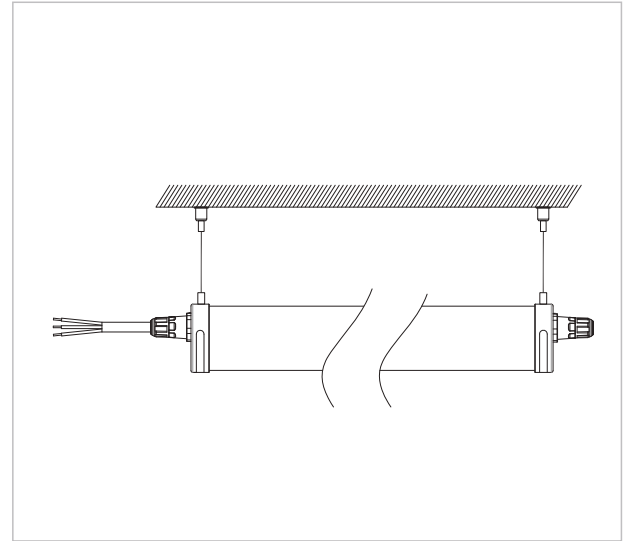
L:	Brown	Black
N:	Blue	White
E:	Yellow-green	Green
DA:	Black	Red
DA:	Gray	Orange

Ceiling Mounted Installation



* Standard configuration

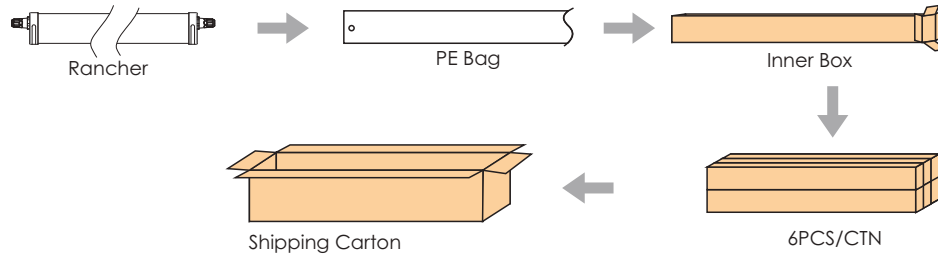
Suspended Installation



* Suspended accessories need to be paid additionally

Package

Item code	Dimension	Carton Size	N.W.(kg)/CTN	G.W.(kg)/CTN	Maximum Loading of		
					20'GP	40'GP	40'HQ
SL-P69X2-20-X	690*74*78mm	750*250*165mm	7.2	9	1050CTNs	2249CTNs	2475CTNs
SL-P69X4-36-X	1290*74*78mm	1350*250*250mm	13.2	16	556CTNs	1164CTNs	1344CTNs
SL-P69X5-45-X	1590*74*78mm	1650*250*250mm	16.2	20	452CTNs	942CTNs	1068CTNs



Reminding: Do not install this lamp into water directly to avoid any potential safety risks caused by AC input.

All the above information is subject to the final interpretation of ShineLong Technology.