



SPECIFICATION  
Parkade

## Product Details

### S/N Rules

$\frac{SL}{1} - \frac{A65}{2} \frac{X}{3} \frac{X}{4} - \frac{XX}{5} - \frac{X}{6} \frac{X}{7}$

EX:  $\frac{SL}{1} - \frac{A65F2}{2} - \frac{20}{34} - \frac{PB}{567}$

- 1: SL-ShineLong
- 2: A65: Parkade IP65 Aluminum Tri-proof
- 3: X-Cover Type (S: Striped cover, F: Frosted cover)
- 4: X-Length , (2: 2ft 60cm, 4: 4ft 120cm, 5: 5ft 150cm)
- 5: XX-Power consumption (20: 20w, 30: 30w,40: 40w, 50: 50w, 60: 60w)
- 6: X-Color Temperature (W: warm white, P: Pure white, C: cold white )
- 7: X-Function Type (B: Battery, Emergency function , S: Sensor, microwave or PIR sensor , D:0/1-10V dimmable, T: Triac dimmable L: DALI dimmable)

### Application

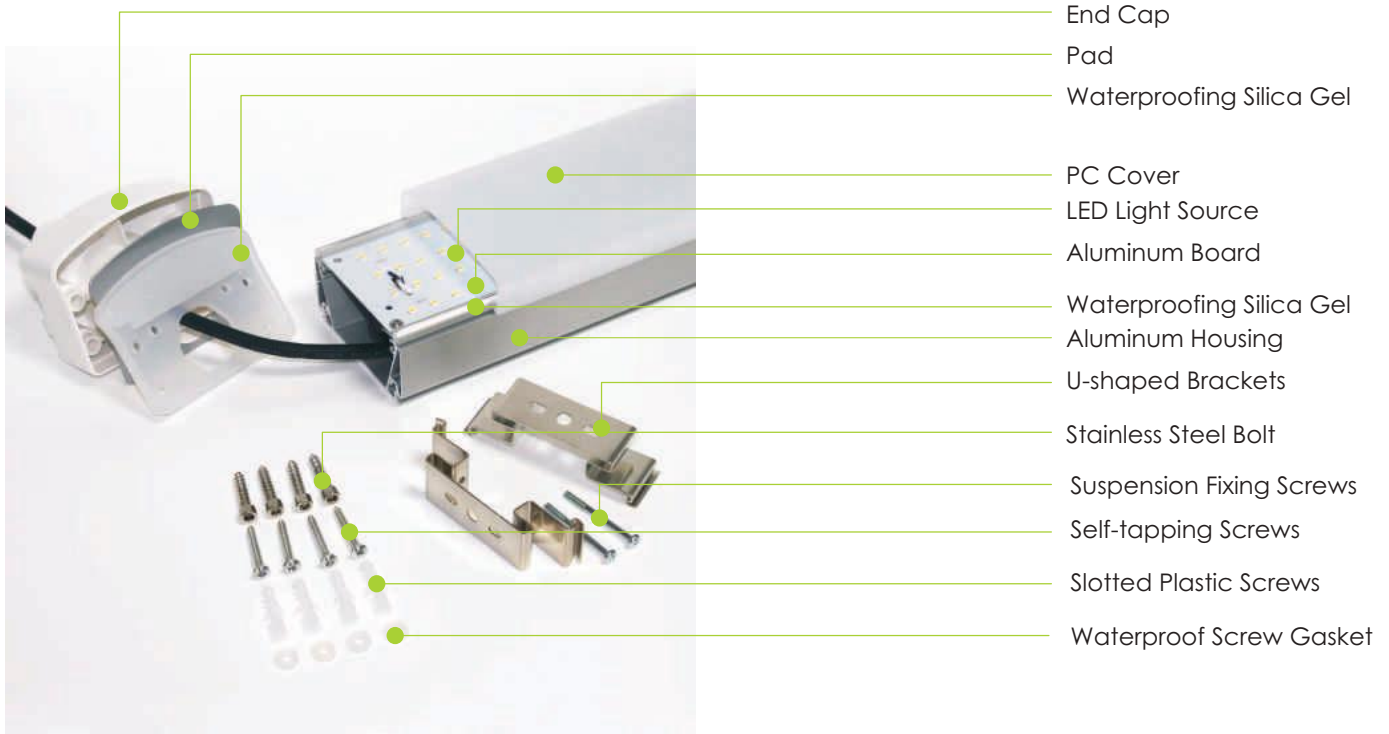
- Parking place
- Tunnel / Corridor / Gallery
- Railway / Bus / MTR Station
- Warehouse / Factory
- Airport
- Exhibition Hall
- Supermarket
- Gas station

### Features

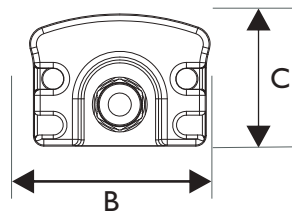
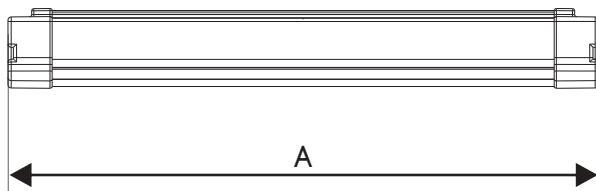
- CE, RoHs, ERP, TUV-GS, SAA, UL, DLC certified
- Water-proof, Dust-proof, Damp-proof, Vapor-proof
- Unique design, Mitsubishi PC Cover + Aluminum housing + Aluminum PCB
- IP66 Ik10
- Global patent protection led source, SMD2835
- Capable with non-dimming, 0~10V dimming, DALI, Sensor, Emergency version
- Available in side connection, back connection, plug-and-play in connection, self-wiring connection
- 100~120lm/w or 130~150lm/w
- L80B50 lifespan(Ta=25°C): 75,000hrs
- 5 years warranty.



## Product Details



## Dimension



length

A

B

C

Min.mm

Min.mm

Max.mm

Min.mm

600

600

91

94

69

1200

1200

91

94

69

1500

1500

91

94

69

## Data Sheet

Article Number	Size	Power	LEDs	Beam Angle	CRI	AC Input	DC Output	SDCM	Efficiency (±5%)	Lumen Output
----------------	------	-------	------	------------	-----	----------	-----------	------	------------------	--------------

### Standard Lumen Version>>>>>110~110lm/w with frosted cover, 110~120lm/w with striped cover

SL-A65X2-20-X	600*94*69mm	20W	156	120°	>80	200~240V/100~277V	30~40V	<4	100~120lm/w	1900~2300lm
SL-A65X2-30-X	600*94*69mm	30W	208	120°	>80	200~240V/100~277V	30~40V	<4	100~120lm/w	2900~3500lm
SL-A65X4-40-X	1200*94*69mm	40W	260	120°	>80	200~240V/100~277V	30~40V	<4	100~120lm/w	3800~4600lm
SL-A65X4-50-X	1200*94*69mm	50W	312	120°	>80	200~240V/100~277V	30~40V	<4	100~120lm/w	4800~5800lm
SL-A65X5-50-X	1500*94*69mm	50W	312	120°	>80	200~240V/100~277V	30~40V	<4	100~120lm/w	4800~5800lm
SL-A65X5-60-X	1500*94*69mm	60W	416	120°	>80	200~240V/100~277V	30~40V	<4	100~120lm/w	5800~7000lm

### Premium Lumen Version>>>>>130~140lm/w with frosted cover, 140~150lm/w with striped cover

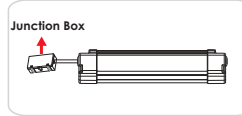
SL-A65X2-20-X	600*94*69mm	20W	156	120°	>80	200~240V/100~277V	30~40V	<4	130~150lm/w	2500~2900lm
SL-A65X2-30-X	600*94*69mm	30W	208	120°	>80	200~240V/100~277V	30~40V	<4	130~150lm/w	3750~4350lm
SL-A65X4-40-X	1200*94*69mm	40W	260	120°	>80	200~240V/100~277V	30~40V	<4	130~150lm/w	5000~5800lm
SL-A65X4-50-X	1200*94*69mm	50W	312	120°	>80	200~240V/100~277V	30~40V	<4	130~150lm/w	6250~7250lm
SL-A65X5-50-X	1500*94*69mm	50W	312	120°	>80	200~240V/100~277V	30~40V	<4	130~150lm/w	6250~7250lm
SL-A65X5-60-X	1500*94*69mm	60W	416	120°	>80	200~240V/100~277V	30~40V	<4	130~150lm/w	7500~8700lm

### Special Models

SL-A65X6-60-X	1800*94*69mm	60W	432	120°	>80	200~240V/100~277V	30~40V	<4	100~120lm/w	5600~6800lm
SL-A65X8-80-X	2400*94*69mm	80W	520	120°	>80	200~240V/100~277V	30~40V	<4	100~120lm/w	7600~9200lm
SL-A65X10-100-X	3000*94*69mm	100W	624	120°	>80	200~240V/100~277V	30~40V	<4	100~120lm/w	9500~11500lm

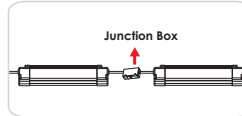
## Flexibilities in connection

### 1 Power at one end



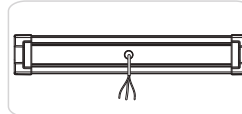
Fit for single connection

### 2 Power at double ends



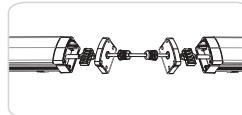
Fit for series connection

### 3 Power at backside



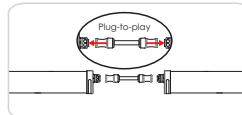
Fit for backside or wall mounted connection

### 4 Detachable caps



Fit for self-wiring connection

### 5 Plug-and-play connection with LLT connectors

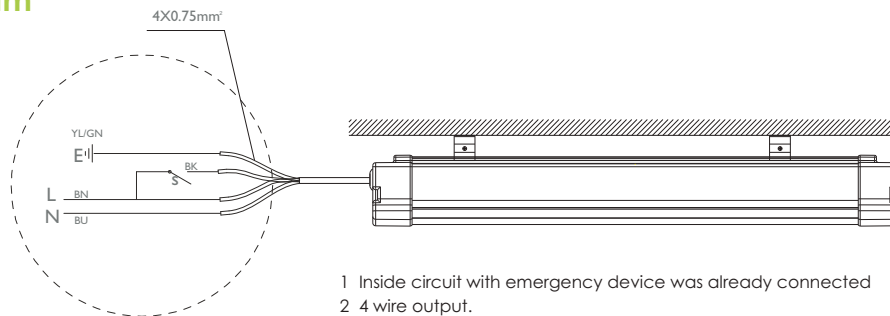


Fit for plug-and-play connection

## Emergency Version

Article Number	Emergency Time(hours)	Emergency Power(W)	Battery Parameters
SL-A65X2-20-X	3	3	3.6V 2600mah
SL-A65X2-30-X	3	4	7.2V 2200mah
SL-A65X4-40-X	3	4	7.2V 2200mah
SL-A65X4-50-X	3	8	7.2V 4400mah
SL-A65X5-50-X	3	8	7.2V 4400mah
SL-A65X5-60-X	3	8	7.2V 4400mah

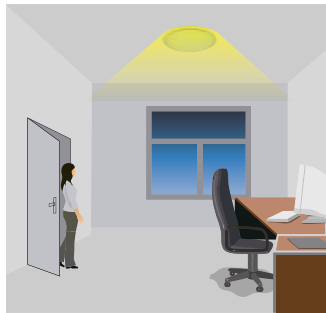
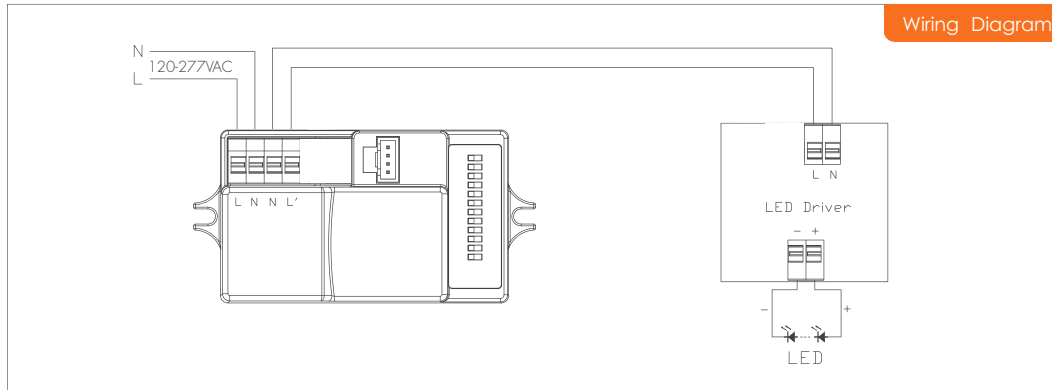
## Wiring Diagram



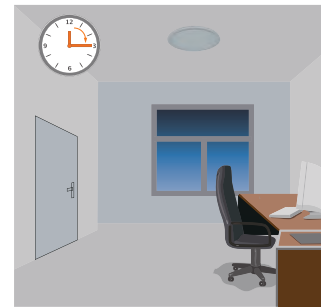
- 1 Inside circuit with emergency device was already connected
- 2 4 wire output.  
Eu Market: Blue-Neutral wire / Black-Live wire / Brown-Switch wire / Yellow&Green-Earth wire  
US Market: Black-Neutral wire / White-Live wire / Red-Switch wire / Green-Earth wire
- 3 Indicator color (Green – main power, Yellow – malfunction, Red - Charging)
- 4 Battery can be recharged at least 500 times. In order to maintain the battery well it must be discharged every 3 months.

MSDS Test Report is available

# Hytronik Microwave Sensor 100% on/off version



Light will turn on if any movement be detected in detection area.

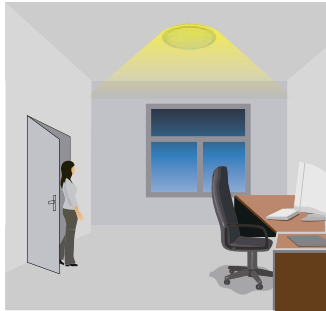
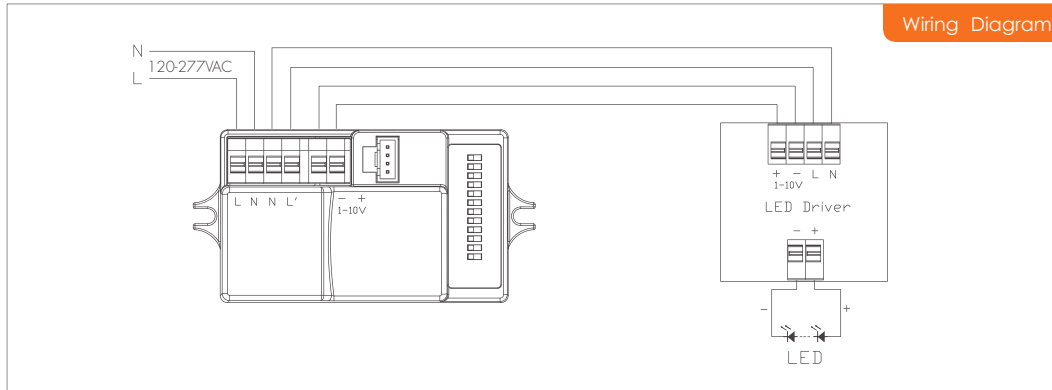


Light will switch off after the hold time when no movement in detection area.

Remark: 1. standard hold time is 60s 2. Max detection range is 12x6m( $\phi$ xh)



# Microwave Sensor Module Brightness Dimming Version



Light will turn on if any movement be detected in detection area.

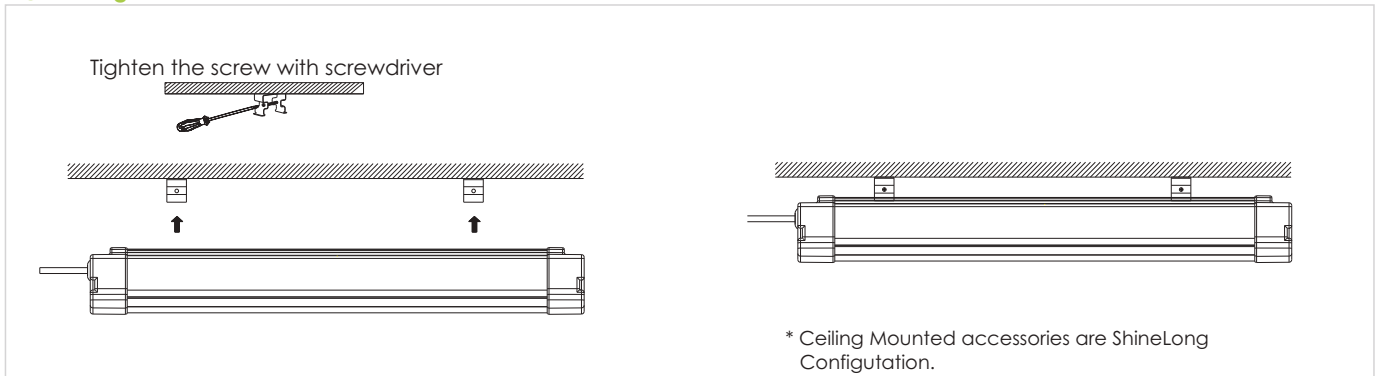


Light will dim to 10%/20%/30%/50%(options) after the hold time when no movement in detection area

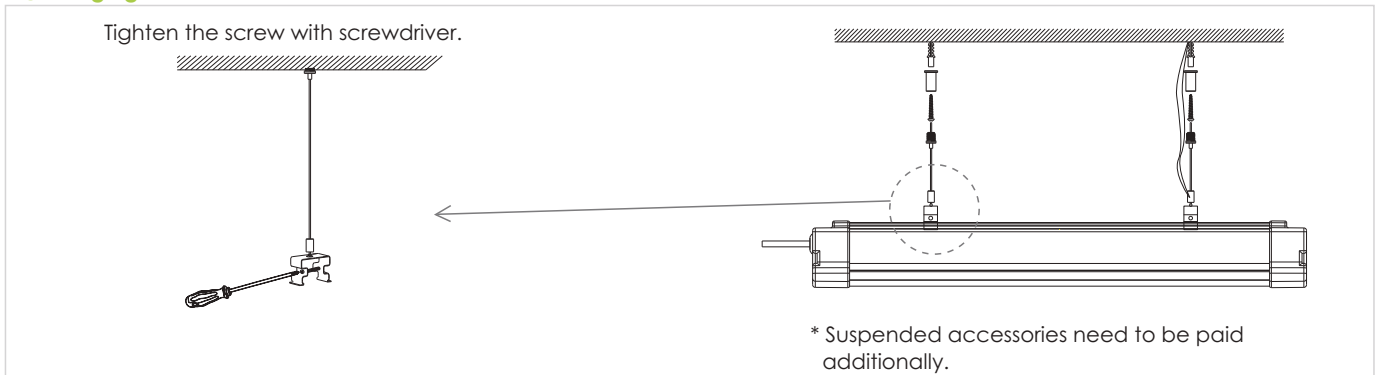
Remark: 1. standard hold time is 60s 2. Max detection range is 12x6m(φxh)

# Installation

## ① Ceiling Mounted Installation

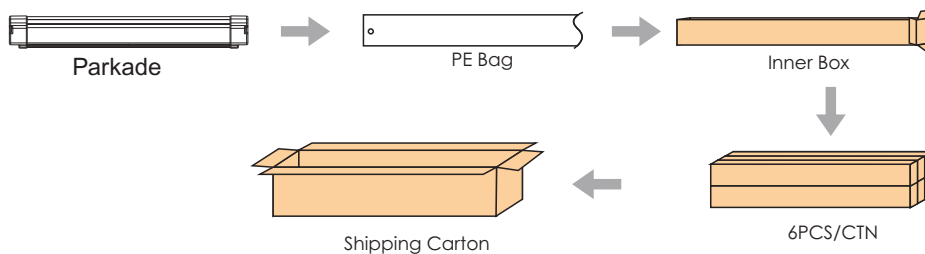


## ② Hanging Installation



# Package

Item code	Dimension	Carton Size	N.W.(kg)/CTN	G.W.(kg)/CTN	Maximum Loading of		
					20'GP	40'GP	40'HQ
SL-A65X2-20-X	600*94*69mm	660*220*230mm	9	11	629CTNs	1286CTNs	1513CTNs
SL-A65X2-30-X	600*94*69mm	660*220*230mm	9	11	629CTNs	1286CTNs	1513CTNs
SL-A65X4-40-X	1200*94*69mm	1260*220*230mm	15	18	304CTNs	708CTNs	792CTNs
SL-A65X4-50-X	1200*94*69mm	1260*220*230mm	15	18	304CTNs	708CTNs	792CTNs
SL-A65X5-50-X	1500*94*69mm	1560*220*230mm	18	22	262CTNs	550CTNs	659CTNs
SL-A65X5-60-X	1500*94*69mm	1560*220*230mm	18	22	262CTNs	550CTNs	659CTNs



All the above information is subject to the final interpretation of ShineLong Technology.