



SPECIFICATION

LED Flood Light



Product Details

S/N Rules

$\frac{SL}{1} - \frac{F65}{2} \frac{X}{3} \frac{X}{4} - \frac{XX}{5} - \frac{X}{6}$

EX: $\frac{SL}{1} - \frac{F65BD}{2} - \frac{10}{34} - \frac{X}{56}$

- 1: SL-ShineLong
- 2: F65: F-Flood Light Version; 65-IP65
- 3: X-Cover Color(B: Black; S: Silver)
- 4: X-Lamp Beads Type(D: 3030 light source; E: Imitation lumens)
- 5: XXX-Power consumption(10: 10w; 20: 20w; 30: 30w; 50:50w; 80:80w; 100:100w; 150:150w; 200: 200w)
- 6: X-Color Temperature(W: Warm white; P: Pure white; C: Cold white)

Application

- Supermarket
- Exhibition Hall
- Stadium
- Gym
- Factory
- Warehouse
- Toll-Gate
- Gas Station

Features

- Unique patent design,CE, ROHS listed
- Green initiative, no UV, Infrared, thermal Radiation and HG pollution.
- High luminous efficiency 110~120LM/W
- Excellent electromagnetic compatibility, no electromagnetic interference to surroundings.
- Aluminum alloy body and high-tech painting process help the body get rid of rust and corrosion permanently.
- 3 years warranty

Temperature

Operating: -20 ~ + 50°C

Storage: -40 ~ + 85°C



Product Details



Integrated Cooler

1070 Standard aluminum housing, Excellent heat dissipation.



LED Source – 3030

Anti sulfur, Stable performance and long lifespan.
With LM80.



Integrated Design, IP65 Protection

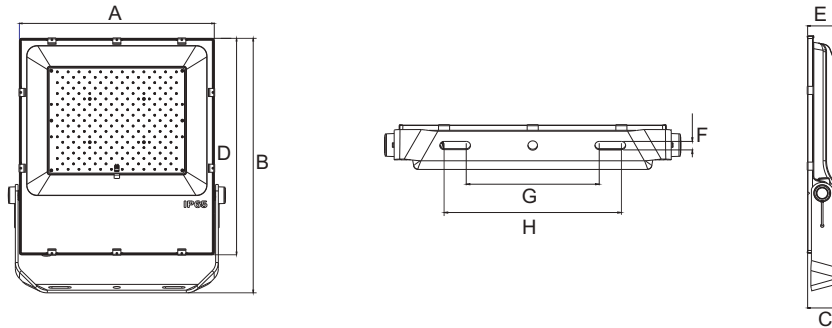
Specialized silicone rubber ring couple with G shape clips design, Not only enhance the ability of water and dust resistance, a more graceful appearance as well.



0-120° Adjustable Bracket

Lighting angle can be switched from 0° to 120° for different installation.

Dimension



Item code	A mm	B mm	C mm	D mm	E mm	F mm	G mm	H mm
SL-F65BD-10-X	107	166	32	140	32	6.5	56.5	83.5
SL-F65BD-20-X	152	216.5	40	190	40	8	68	102
SL-F65BD-30-X	167	226.5	40	200	40	8	78	122
SL-F65BD-50-X	220	310.47	50	265	47.5	10.5	90	140
SL-F65BD-80-X	245	354.32	55	300	49.5	11.5	90	149.34
SL-F65BD-100-X	295	402.32	60	345	53.5	11.5	90	150
SL-F65BD-150-X	330	430.25	60	365	53.5	11.5	180	240
SL-F65BD-200-X	360	470.25	60	400	53.5	11.5	180	240

Data sheet

Article Number	Size	Power	Beam Angle	CRI	AC Input	DC Output	Efficiency(±5%)	Lumen Output
SL-F65BD-10-X	166*107*32mm	10W	120°	>80	100-240V/100-277V	DC30-40V	105-115LM/W	1050-1150LM
SL-F65BD-20-X	216.5*152*40mm	20W	120°	>80	100-240V/100-277V	DC30-40V	105-115LM/W	2100-2300LM
SL-F65BD-30-X	226.5*167*40mm	30W	120°	>80	100-240V/100-277V	DC30-40V	105-115LM/W	3150-3450LM
SL-F65BD-50-X	310.47*220*50mm	50W	120°	>80	100-240V/100-277V	DC30-40V	115-125LM/W	5750-6250LM
SL-F65BD-80-X	354.32*245*55mm	80W	120°	>80	100-240V/100-277V	DC30-40V	115-125LM/W	9200-10000LM
SL-F65BD-100-X	402.32*295*60mm	100W	120°	>80	100-240V/100-277V	DC30-40V	115-125LM/W	11500-12500LM
SL-F65BD-150-X	430.25*330*60mm	150W	120°	>80	100-240V/100-277V	DC30-40V	115-125LM/W	17250-18750LM
SL-F65BD-200-X	470.25*360*60mm	200W	120°	>80	100-240V/100-277V	DC30-40V	115-125LM/W	23000-25000LM

Installation Instructions

Correlated accessories and toolings for LED Flood light should be prepared firstly.

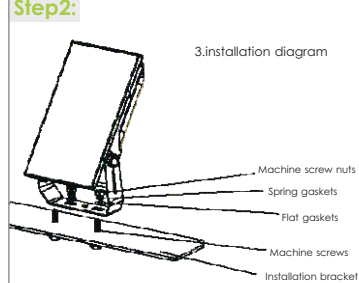
Step1:



Fixing LED Flood light to wall or mounting rack, specifying a location and drill the holes with expansion bolts. Install the LED Flood light to this position and fasten with screws. The installation gap between LED Flood lights is adjustable by specific demand.

Step1

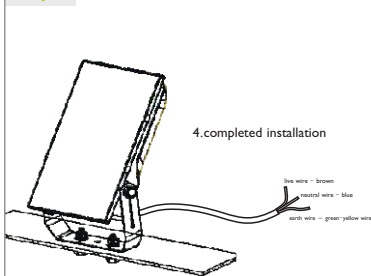
Step2:



After step 1, pls connect wires by correct instructions (live wire - brown, null wire - blue, earth wire - green-yellow wire), the joint should be insulated.

Step2

Step3:



Lock screws on both ends of rotating bracket when you finalize an ideal illumination angle. Make sure there are no mistakes before turn on the power.

Step3

package

Item code	Dimension	PCS/Box	N.W.(kg)/PC	G.W.(kg)/CTN	Maximum Loading of		
					20'GP	40'GP	40'HQ
SL-F65BD-10-X	425*415*255mm	36PCS	0.46	20.4	700PCS	1340PCS	1608PCS
SL-F65BD-20-X	515*380*260mm	20PCS	0.835	19.6	618PCS	1266PCS	1479PCS
SL-F65BD-30-X	535*405*260mm	20PCS	0.992	23.22	551PCS	1200PCS	1350PCS
SL-F65BD-50-X	530*365*255mm	8PCS	1.743	15	594PCS	1284PCS	1485PCS
SL-F65BD-80-X	435*340*130mm	1PC	3.760	4.28	1708PCS	3512PCS	3780PCS
SL-F65BD-100-X	510*430*135mm	1PC	4.65	5.35	1085PCS	2225PCS	2534PCS
SL-F65BD-150-X	510*430*135mm	1PC	6.147	7.1	1085PCS	2225PCS	2534PCS
SL-F65BD-200-X	555*460*135mm	1PC	7.238	8.2	960PCS	1981PCS	2262PCS