

SPECIFICATION

LED Panel Light - Intact Series



Product Details

S/N Rules

$\frac{SL}{1} - \frac{X}{2} \frac{XX}{3} \frac{XX}{4} - \frac{XX}{5} - \frac{XX}{6} \frac{XX}{7}$

EX: $\frac{SL}{1} - \frac{P2250}{234} - \frac{P}{5} \frac{B}{6} - \frac{IT}{7}$

1. SL- ShineLong
2. X- Shape: "P" = square panel;
3. XX-Size: 11 = 1x1ft; 22 = 2x2ft,24=24xft...
4. XX- Watt: 20=20w; 30=30w;40=40w(according to actual watt)
5. X- CCT: P=pure white; W=warm white; C=cool white;
6. X- Optional function: P=PWM dimmable;
D=0/1-10V dimmable; T=triac dimmable; L=DALI dimmable;
B=battery(emergency)
7. IT: Intact Panel Series

Application

- Office
- University/School
- Show room
- Library
- Hospital
- Exhibition Hall
- Supermarket

Features

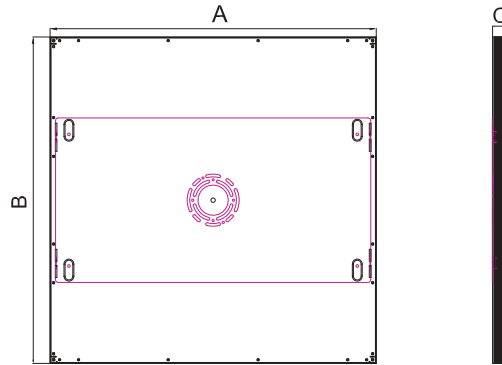
- Direct surface mounting design
- Instant on/off, no noise/UV/light leak/shadow
- CE, RoHS certified
- Material: AL + PMMA
- IK06, IP40
- Global patent protection led source, projected lifespan>100,000hrs
- Internal flicker free driver
- 100lm/w, 130lm/w optional
- Available in non-dimming, 0~10V / Triac / DALI / CCT dimming versions
- L80B50 Lifespan(Ta=25°C): 70,000hrs
- SDCM<4
- 5 years warranty

Temperature

Operating: -20 ~ +50°C

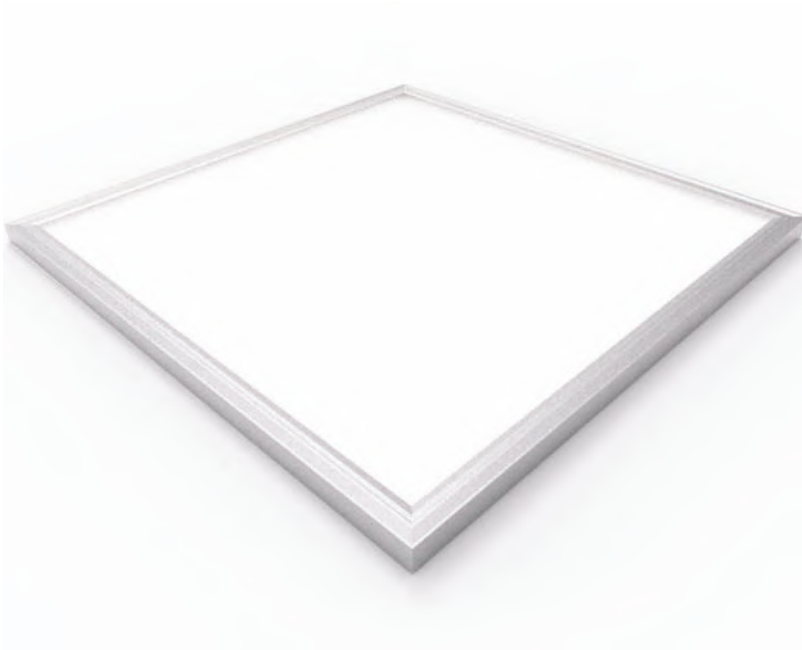


Demension



A	B	C (Thickness)
302	1211mm	23.5mm
602	602mm	23.5mm
602	1211mm	23.5mm

Product Details



Data Sheet

Article Number	Size	Power	LEDs	Beam Angle	CRI	AC Input	DC Output	SDCM	Efficiency (±5%)	Lumen Output
----------------	------	-------	------	------------	-----	----------	-----------	------	------------------	--------------

Standard Lumen Version>>>>>100lm/w

SL-P1430-X-IT	302*1211mm	30W	260	120°	>80	100~277V	30~40V	<4	100lm/w	2850~3150lm
SL-P1440-X-IT	302*1211mm	40W	260	120°	>80	100~277V	30~40V	<4	100lm/w	3800~4200lm
SL- P2230-X-IT	602*602mm	30W	156	120°	>80	100~277V	30~40V	<4	100lm/w	2850~3150lm
SL-P2240-X-IT	602*602mm	40W	156	120°	>80	100~277V	30~40V	<4	100lm/w	3800~4200lm
SL-P2450-X-IT	602*1211mm	50W	260	120°	>80	100~277V	30~40V	<4	100lm/w	4750~5250lm
SL- P2460-X-IT	602*1211mm	60W	312	120°	>80	100~277V	30~40V	<4	100lm/w	5700~6300lm

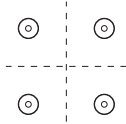
Premium Lumen Version>>>>>130lm/w

SL-P1430-X-IT	302*1211mm	30W	312	120°	>80	100~277V	30~40V	<4	130lm/w	3750~4050lm
SL-P1440-X-IT	302*1211mm	40W	364	120°	>80	100~277V	30~40V	<4	130lm/w	5000~5400lm
SL- P2230-X-IT	602*602mm	30W	208	120°	>80	100~277V	30~40V	<4	130lm/w	3750~4050lm
SL-P2240-X-IT	602*602mm	40W	260	120°	>80	100~277V	30~40V	<4	130lm/w	5000~5400lm
SL-P2450-X-IT	602*1211mm	50W	312	120°	>80	100~277V	30~40V	<4	130lm/w	6250~6750lm
SL- P2460-X-IT	602*1211mm	60W	364	120°	>80	100~277V	30~40V	<4	130lm/w	7500~8100lm

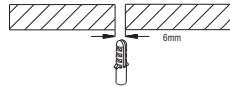
Different wattage can be customized

Mounted Instructions

Step 1 ① Drill ϕ 6mm holes on the roof/wall.

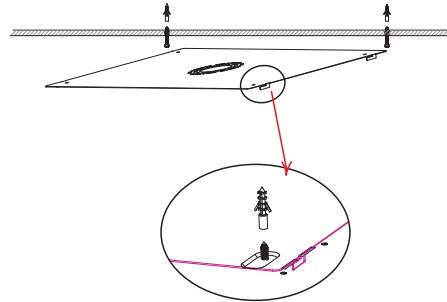


② Drill ϕ 6mm expansion pipe into the hole.



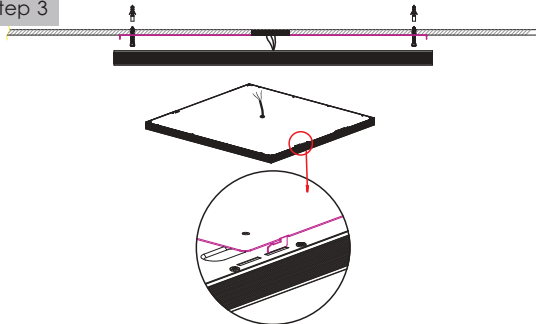
Drill holes and mount ϕ 6mm expansion screws on ceiling.

Step 2



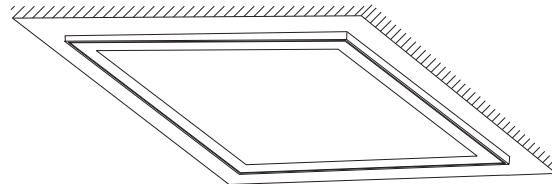
Attach metal plate to ceiling by corresponding screws.

Step 3



Insert panel on plate hooks. Pls make sure panel is totally fixed after your installation.

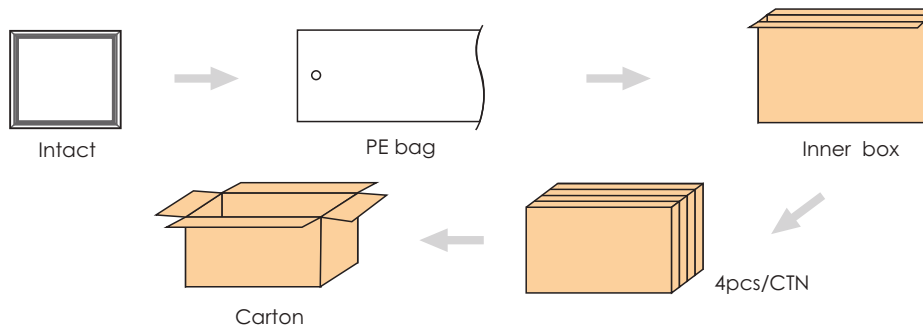
Step 4



Direct surface mounting.

Package

Item code	Size	Carton Size	N.W./CTN	G.W./CTN	Maximum Loading of		
					20'GP	40'GP	40'HQ
SL-P1430-X-IT/SL-P1440-X-IT	302*1211*23.5mm	380X1250X255mm	8kg	42kg	280CTNs	600CTNs	663CTNs
SL- P2230-X-IT/SL-P2240-X-IT	602*602*23.5mm	680X680X255mm	5.5kg	25kg	282CTNs	594CTNs	684CTNs
SL-P2450-X-IT/SL- P2460-X-IT	602*1211*23.5mm	680X1290X255mm	11kg	48kg	146CTNs	305CTNs	352CTNs



All the above information is subject to the final interpretation of ShineLong Technology.