



SPECIFICATION

Disc



Product Details

S/N Rules

$\frac{SL}{1} - \frac{X}{2} \frac{XXX}{3} \frac{XX}{4} - \frac{X}{5} \frac{X}{6}$

EX: $\frac{SL-D12005-X}{1\ 2\ 3\ 4\ 5}$

1. SL- ShineLong
2. X- Shape: "D" = round panel;
3. XXX-Size: 120 =Ø120mm; 180 =Ø180mm; 240=Ø240mm....
4. XX- Watt: 05=5w; 10=10w; 15=15w(according to actual watt)
5. X- CCT: P=pure white; W=warm white; C=cool white;
6. X- optional function: D=0/1-10V dimmable;
T=triac dimmable; L=DALI dimmable;

Application

- Living room
- Bedroom
- Bathroom
- Shopping malls
- Restaurant
- Kitchen
- Office
- Library

Features

- Instant on/off, no noise, no UV, no light leak, no shadow
- Ultra slim structure with thickness 14mm
- CE, RoHs certified
- Mitsubishi PMMA diffuser + 6063 aluminum frame, silver/white /black color available
- Global patent protection LED chip
- TUV/ENEC/UL standard driver, flicker free
- 80~90lm/w
- Minimal lifespan 50, 000hrs
- Non-dimming, triac dimming, 0~10v dimming, cct dimming, DALI version available
- SDCM<4
- 5 years warranty

Temperature

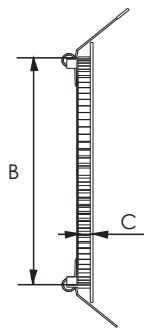
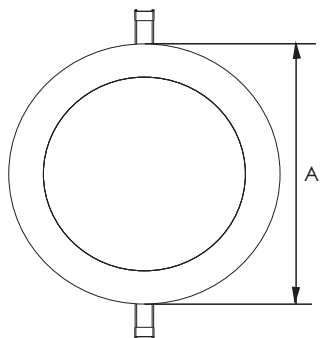
Operating: -20 ~ +50°C



Product Details



Dimension



length

A

B

C

Ø120

120mm

100mm

14mm

Ø180

180mm

165mm

14mm

Ø240

240mm

225mm

14mm

Ø300

300mm

285mm

14mm

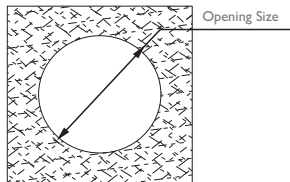
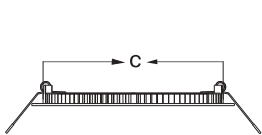
Data Sheet

Article Number	Size	Power	LEDs	Beam Angle	CRI	AC Input	DC Output	SDCM	Efficiency(±5%)	Lumen Output
SL-D12005-X	Ø120mm	5W	24	120°	>80	200~240V/ 100~277V	30~40V	<4	60~70lm/w	300~350lm
SL-D18010-X	Ø180mm	10W	60	120°	>80	200~240V/ 100~277V	30~40V	<4	80~90lm/w	800~900lm
SL-D24015-X	Ø240mm	15W	84	120°	>80	200~240V/ 100~277V	30~40V	<4	80~90lm/w	1100~1300lm
SL-D30020-X	Ø300mm	20W	108	120°	>80	200~240V/ 100~277V	30~40V	<4	90~100lm/w	1700~1900lm

Different wattage can be customized

Installation

1



	C	Opening size
Ø120	96/3.78"	100/3.94"
Ø180	160/6.3"	165/6.50"
Ø240	220/8.66"	225/8.86"
Ø300	280/11.02"	285/11.22"

2

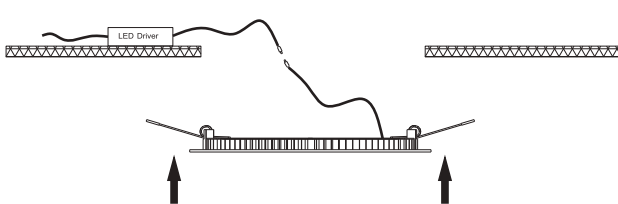
schritt 1



schritt 2



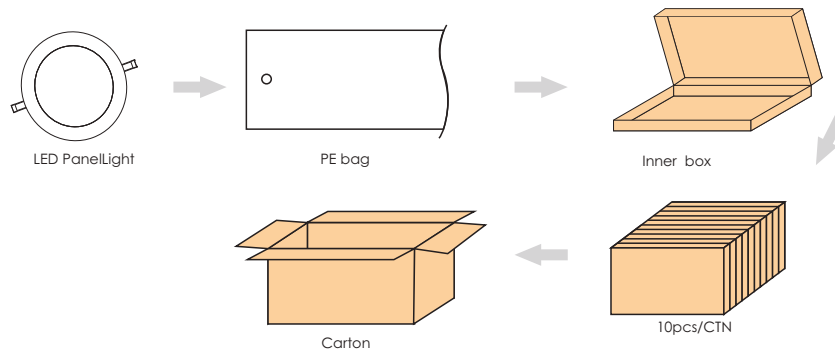
schritt 3



schritt 4



Package



Item code	Size	Carton Size	N.W./CTN	G.W./CTN
SL-D12005-X	Ø120x14mm	475x270x270mm	2.1kg	4.5kg
SL-D18010-X	Ø180x14mm	475x270x270mm	4.1kg	6.5kg
SL-D24015-X	Ø240x14mm	555x315x270mm	5.6kg	9.0kg
SL-D30020-X	Ø300x14mm	395x350x400mm	6.8kg	11.0kg

Shinelong reserves the right of final interpretation for whole specification